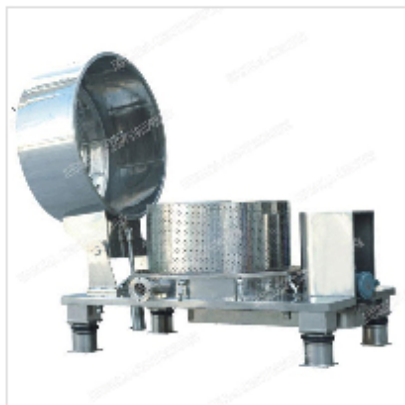


PQSB Top Discharge Centrifuges with Fully Opening Cover

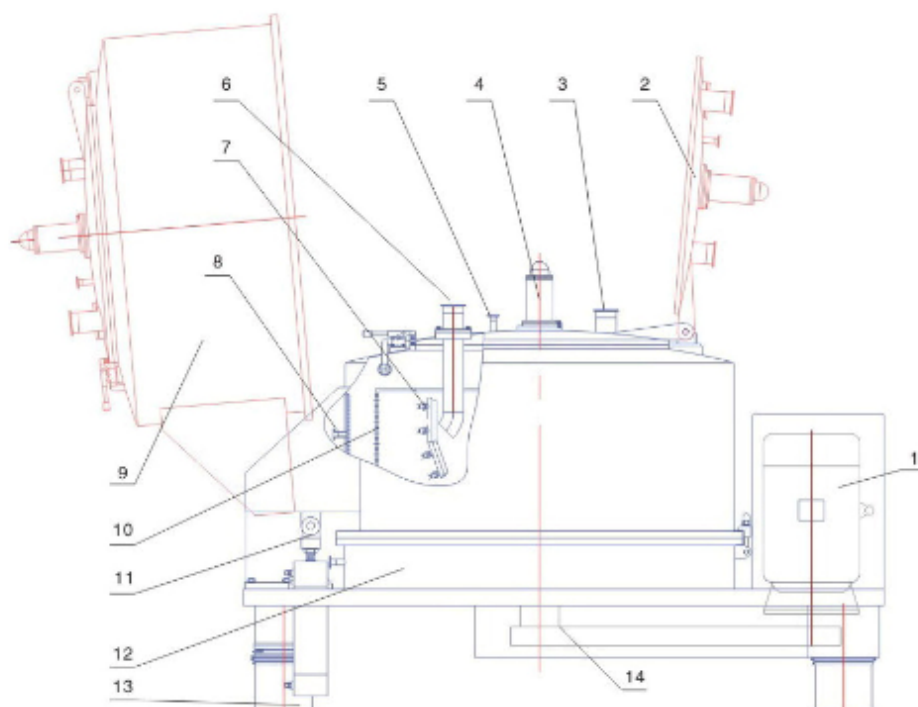


The PQSB top discharge centrifuges are endowed with fully opening cover, and adopt stainless steel for outer structural parts, fixed parts and basket. Various advantages make our stainless steel separation equipment a wise and profitable investment.

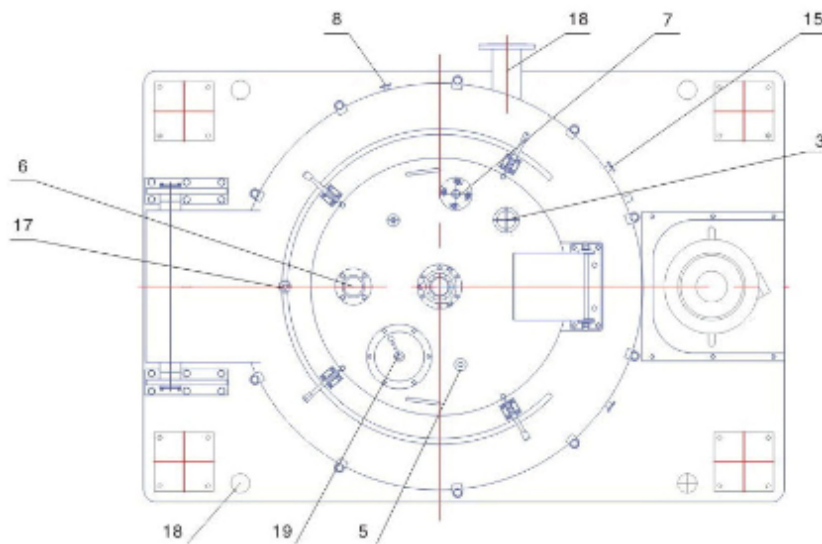
Main Features of PQSB Top Discharge Centrifuge

1. Thanks to fully opening cover, smooth parts and polished surface, customers are allowed to perform complete cleaning to outer housing, basket and liquid slot of this enclosed top discharge centrifuge.
2. Platform base lowers the center of gravity and requires limited place for installation.
3. Liquid damping vibration isolator delivers outstanding performance and minimized maintenance.
4. We deploy feeding pipe, washing pipe, inspection window and lighting hole on the large hinged cover for convenient operation. Optional CIP system is presented to offer in-line washing to centrifuge inner wall, liquid slot and basket inner and outer surfaces, whereby to meet GMP standards.
5. Exceptional versatility has been proved by wide applications in separation of fibrous materials and slurries containing granules, as well as undamaged particles.
6. Variable frequency drive is employed for stable start-up and adjustable centrifugal force. Furthermore, optional nitrogen protection system is also available to meet the explosion protection needs for poisonous, flammable and explosive environments.

Structure of PQSB Top Discharge Centrifuge



- 1 Motor
- 2 Little lip
- 3 Vent pipe
- 4 Explosion-proof light
- 5 Nitrogen pipe
- 6 Feeding pipe
- 7 Washing pipe
- 8 Later washing pipe
- 9 Bag lid
- 10 Basket
- 11
- 12
- 13
- 14



- 11 Lid opening device
- 12 Machine chassis
- 13 Liquid-damping vibration isolator
- 14 Transmission
- 15 Bottom CIP pipe
- 16 Drain pipe
- 17 Top CIP pipe
- 18 Lifting point
- 19 Sight glass

Technical Parameter of PQSB Top Discharge Centrifuge

Item	Model			
	PQSB800	PQSB1000	PQSB1200	PQSB1250
Basket Dia. (mm)	800	1000	1200	1250
Basket Volume (L)	100	150	270	310
Max. Load (kg)	135	200	370	420
Max. Speed (rpm)	1200	1100	1000	1000
Centrifugal Force	645	670	670	700
Motor Power (kW)	5.5	11	15	18.5
Dimension (L×W×H) (mm)	1900×1350×1300	2050×1500×1350	2450×1700×1675	24050×1700×1675
Weight (kg)	1800	2200	3000	3200