

PAUT/AUT Bottom Discharge Scraper Centrifuges with Top Mounted Motor



Introduction

The PAUT/AUT bottom discharge scraper centrifuges with top mounted motor are the batch-type centrifuges. This automatic filter centrifuge involves the utilization of hydraulic system and electronic control system, and can be switch to manual operation upon request. Top-mounted motor eliminates the annoying problem of friction dust caused by conveyor belt.

Main Features of PAUT/AUT Scraper Centrifuge

1. Top-mounted motor makes rotary center of the drive and basket coincide with the center of this suspended basket centrifuge, thus delivering stable operation.
2. Our motor-driven centrifuge is fitted with liquid damping isolator and requires no foundation for installation, resulting in minimized workload of operation and maintenance.
3. Machine housing and base are connected rigidly for simple and compact structure.
4. Independent bearing seat comes with large support capacity on the basis of low center of gravity of basket.
5. No utilization of belt brings no friction dust.
6. Fully automatic operation control ensures safe and dependable performance.
7. Optional nitrogen protection system is available for explosion-proof application.
8. Options of base plate and three point suspension are available.

Applications of PAUT/AUT Scraper Centrifuge

Our industrial filtration equipment has been proved to be ideal for slurries separation featuring large viscosity, strong hydrophilicity and hard-to-separate, as well as particles containing medium-sized or fibroid material. It also finds applications in separation of some crystalloid solid-state materials (granular, fibroid, flaky, etc.) in loosen state or with slight viscosity.

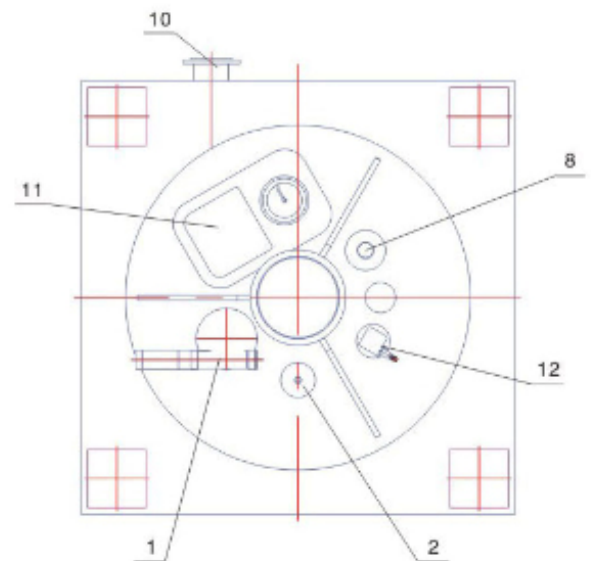
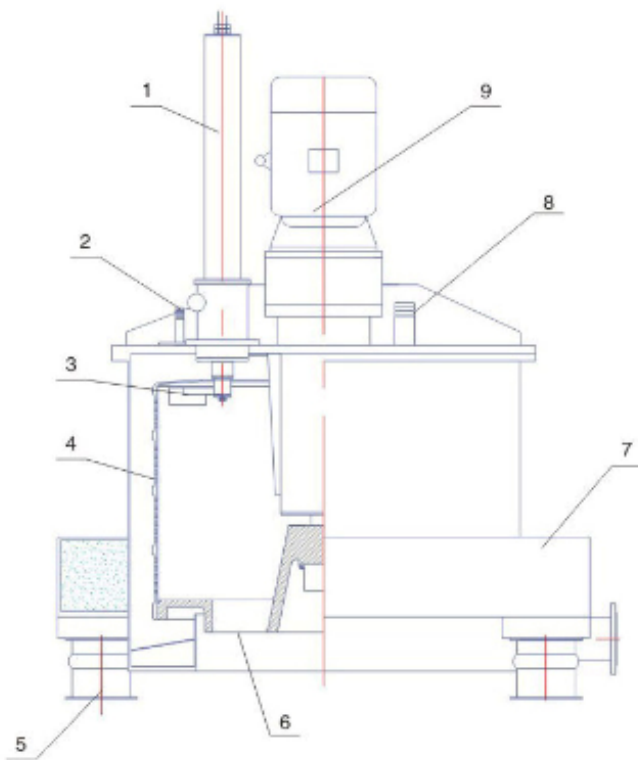
Thanks to exceptional adaptability to materials, our scraper centrifuge is the tool of choice to separate slurries containing solid phase $\geq 0.05\text{mm}$ and with great thermal sensitivity. Based on hydraulic narrow scraper and low-speed enclosed discharging, this centrifuge features outstanding cake discharge capability and minimized damage on crystals, which are enjoyed by industries of chemical, pharmacy, food, environment protection and light industry, etc.

Optional Configuration of PAUT/AUT Scraper Centrifuge

1. Feeding method: side feed via single tube or multiple tubes
2. Scraper discharge: pneumatic or hydraulic
3. Motor drive: Common motor, explosion-proof motor

4. Protection: nitrogen protection system, explosion proof, vibration protection, electric-mechanical interlocking, overload protection
5. Surface treatment: Mirror finishing, matt finishing, and dulling
6. Discharge hopper: custom diameter and height
7. Residual cake treatment: recoil or air-assist scraper
8. Program control: PLC, cake level detector
9. Nitrogen protection system: automatic nitrogen supplier, hydraulic sealing device and gas-liquid separator
10. Coating treatment: HALAR lining, PE lining

Structure of PAUT/AUT Scraper Centrifuge



- 1 Scraper device
- 2 Washing pipe
- 3 Scraper
- 4 Basket

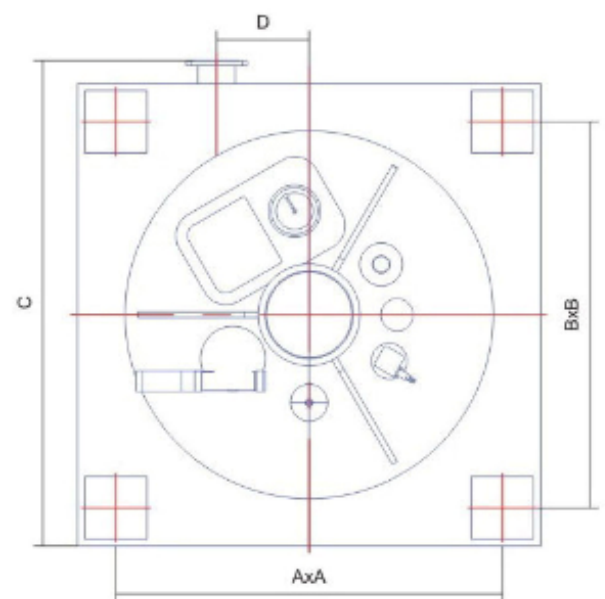
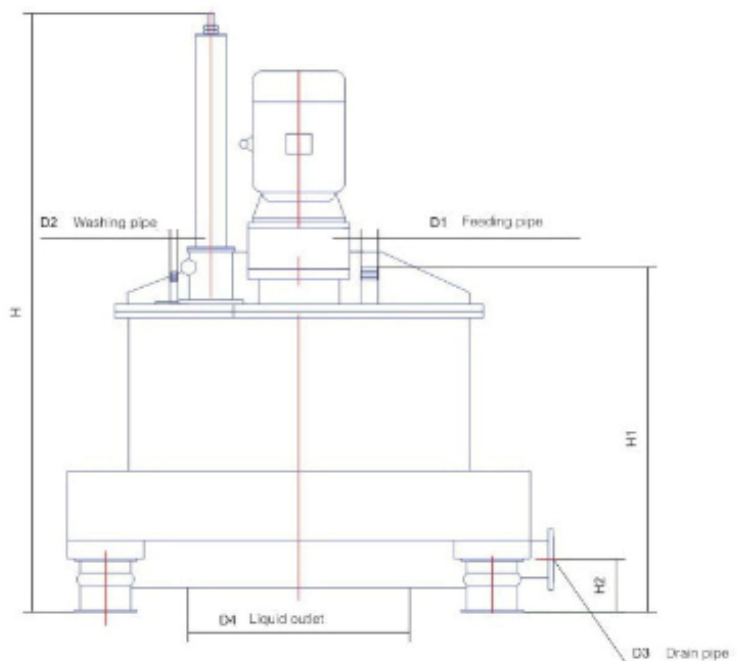
- 5 Vibration isolator
- 6 Solid outlet
- 7 Machine chassis
- 8 Feeding pipe

- 9 Motor
- 10 Drain pipe
- 11 Check cover
- 12 Cake layer controller

Parameter

Technical Parameter of PAUT/AUT Scraper Centrifuge

Item	Model				
	PAUT/AUT250A	PAUT/AUT250B	PAUT/AUT1320	PAUT/AUT1500	PAUT/AUT1600
Basket Dia. (mm)	1250	1000	1250	1600	1600
Basket Volume (L)	281	175	380	775	775
Max. Load (kg)	380	235	380	1050	1050
Max. Speed (rpm)	970	1050/1300	970	850	850
Centrifugal Force	658	620/950	658	647	647
Motor Power (kW)	22	11/15	22	37	37
Dimension (L×W×H) (mm)	2100×2000×2235	2100×2000×2600	2100×2000×2600	2600×2350×2700	2700×2350×2900
	2150×2000×2150	2150×2100×2800	2150×2100×2800	2650×2600×2600	2650×2550×3500
Weight (kg)	4200/3800	4800/4300	5000/4500	8500/8000	10000/8800



Installation Dimension

Model	A×A	B×B	C	D	H	H0	H1	H2	D1	D2	D3	D4
PAUT1250A	2000×2000	1670×1670	2100	400	2235	1390	506	395	50	25	150	950
PAUT1250B	2000×2000	1670×1670	2100	400	2600	1495	610	226	65	25	150	950
PAUT1320	2000×2000	1670×1670	2100	400	2600	1495	624	232	80	25	150	1040
PAUT1500	2350×2600	1900×2150	2700	400	27200	1450	620	230	80	25	150	1050
PAUT1600	2350×2600	1900×2150	2100	400	2600	1640	670	230	80	25	150	1200